

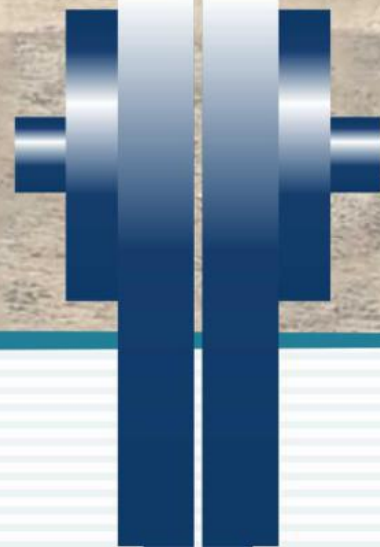


库威得
KUDOSWORLD



FLEXIBLE PIN TYPE COUPLING

BOKU-N
KWN 22014



Product | Engineering Services
Maintenance



**FLEXIBLE PIN TYPE
COUPLING**

**BOKU-N
KWN 22014**

Technical Characteristics

Flexible pin type couplings are positive-locking, torsionally elastic, flexible shaft couplings with rubbery-elastic transmission elements. They are failsafe and pluggable.

Buffer material and buffer geometry ensure an optimal balancing between resilience and restoring action as well as a good damping behavior.

Flexible pin type couplings are available in various series and designs.

The assignment of driving and drive side is arbitrary. Due to the assembly, the pin coupling has a small circumferential backlash. After the installation of the coupling, it is required to align the drive as precisely as possible because the extent of the displacements have a decisive influence on the service life as well as on the restoring forces and torques.

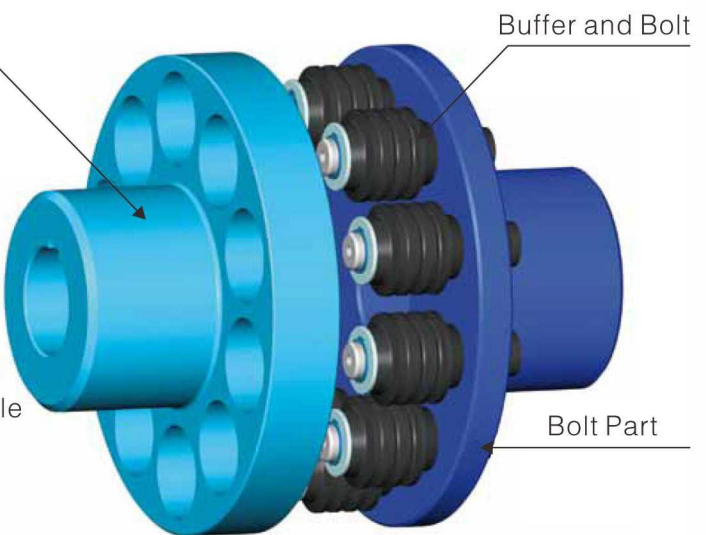
The permissible values specified on page 12 define the limit for the sum of alignment errors and operational displacements.

The operating temperature range is between -40°C – 25°C (If constructed of gray cast iron) and, depending on the buffer material, up to $+100^{\circ}\text{C}$ ($+120^{\circ}\text{C}$ are possible for a short time).

Flexible pin type couplings exhibit progressive spring characteristics.

Buffer and bolts are interchangeable with those of earlier models. The selection of material for the pin and buffer components depends on the rotational speed. While gray cast iron can be used for low rotational speeds it is required to fall back on steel solutions in case of high speeds. Available as further constructive designs are welded designs. The constructive design (welded part or ductile iron) of steel is done by the manufacturer depending on the size.

Design

			
Design A / B	standard design		
Design P	design with brake drum		
Design S1	design with brake disk		
Design S2	design with radially removable brake disk		
Design H	design with spacer		

The Following Special Designs Are Offered

- design with axial backlash limitation
 - design with safety element
 - design for an explosive environment
II 2G IIB T5–20° C ≤ T ≤ +50° C
II 2D 90° C–20° C ≤ T ≤ +50° C
 - design with elastic pin couplings
 - according to KWN 22009
 - design backlash-free due to prestress
 - design electrically insulating
 - design switchable at standstill
 - pin removable hydraulically
 - low temperature version
 - further version upon request
- 1) Finish bore according to ISO-fit H7, feather key groove according to DIN 6885 sheet 1, fit JS 9
 - 2) Without feather key groove, pilot bore – free size, medium according to DIN ISO 2768
 - 3) Deviating hub lengths are possible after consulting the manufacturer; please indicate the desired length in brackets
 - 4) See Version/design of the hub bore
 - 5) Applicable for d1, d2 max, in case of smaller bores, we reserve the right to perform an adjustment/adaptation.
 - 6) Masses and mass moments of inertia are applicable for d1, d2 max as well as considering pins and buffers as well as the material steel (St), Masses and mass moments of inertia for the material cast iron (G) approx. 92 %
 - 7) Use in case of higher rotational speeds upon request
 - 8) Rotational speeds for St, in case of material (G) see design S1/S2. Technical changes in the sense of progress are reserved. The constructive design may deviate from the illustrations, however, the specified dimensions shall be adhered to.

Coupling Selection

The coupling shall be designed according to DIN 740, sheet 2. In doing so, it is required to dimension the coupling so that the occurring stresses won't exceed the permissible value in any operating condition.

$$\text{nominal torque: } T_{KN} \geq T_N \cdot S_t$$

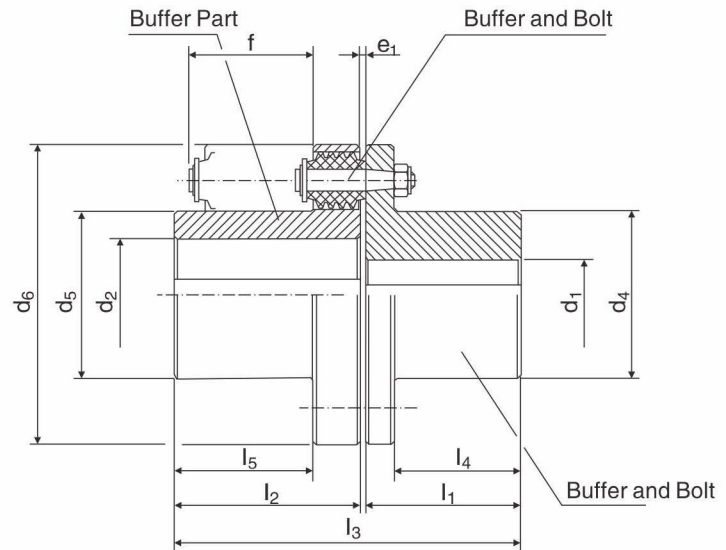
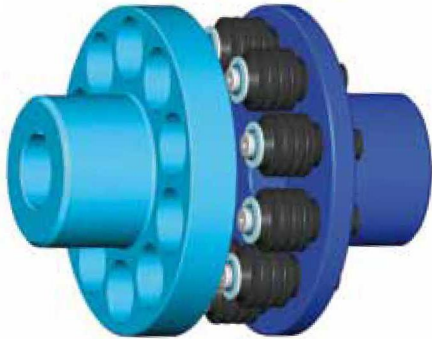
$$\text{maximum torque: } T_{Kmax} \geq T_{max} \cdot S_t \cdot S_a$$

Here, the temperature factor S_t takes the reduction of the resilience of the coupling buffer in case of higher environmental temperatures into account.

ambient temperature in °C	S_t				
	<30°C	<40°C	<60°C	<80°C	<100°C
standard element NR-SBR	1,0	1,1	1,3	1,6	-
NBR (Perbunan)	1,0	1,0	1,0	1,2	1,8
PUR	1,0	1,2	1,4	1,8	-

starting frequency/h	<60	<120	<240
start-up factor S_a	1,0	1,2	1,3

Design A



Ordering example:

BOKU-N-A St 25 – 16v⁴⁾ (x50)³⁾ – 36 H7 (x40)³⁾ – KWN 22014

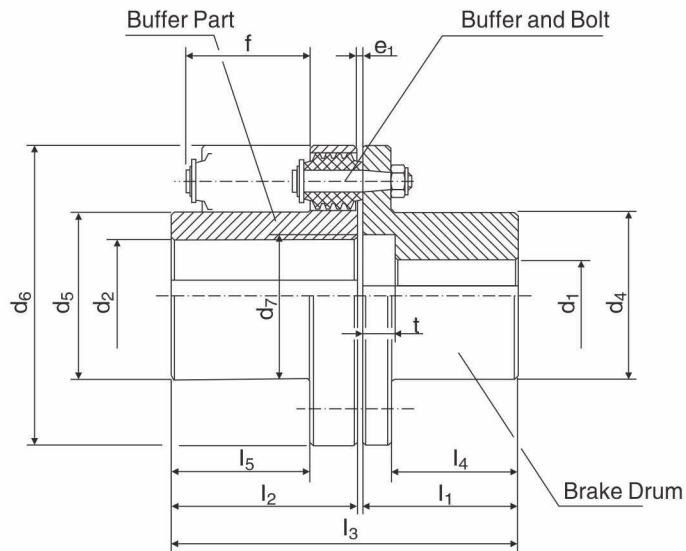
Designation of an elastic pin coupling of the Design A of the nominal size 25, material steel, pilot bore $d_1 = 16$ mm (with hub length $l_1 = 50$ mm), finish bore $d_2 = 36$ mm, tolerance zone H7, without feather key groove in the shortened buffer part (with hub length $l_2 = 40$ mm), dynamically balanced

main dimensions

Table 1

size	pilot bore ²⁾	$d_1, d_2^{1)}$			$d_4^{5)}$	$d_5^{5)}$	d_6	l_1	l_2	l_3	l_4	l_5	e_1	tolerance e_1	buffer nominal size	buffer-quantity	bolt dis-mounting measurem f
		min	max														
			St	G													
4	10	12	32	–	45	45	81	30	30	61	21	17	1.5	±1	6	5	33
6.3	10	12	38	–	53	53	92	30	30	61	21	17	1.5	±1	6	6	33
10	12	16	42	–	59	59	106	40	40	82	30	23	2	±1	8	5	43
16	14	16	45	–	63	63	120	40	40	83	29	19	3	±1	10	5	52
25	16	20	48	–	67	67	124	50	50	103	39	29	3	±1	10	7	52
40	16	20	55	–	77	77	134	50	50	103	39	29	3	±1	10	10	52
63	20	25	65	–	91	91	150	60	60	123	49	39	3	±1	10	12	52
100	25	30	75	–	105	105	186	80	80	164	62	51	3.5	±2	14	9	77
160	25	30	85	–	119	119	212	80	80	164	60	47	4	±2	16	10	85
250	35	40	95	–	133	133	240	110	110	224	90	77	4	±2	16	12	85
400	40	50	105	90	145	145	275	110	110	225	82	66	5	±2	22	10	113
630	45	60	120	100	165	165	320	140	140	285	112	96	5	±2	22	12	113
1 000	55	80	125	110	175	175	380	170	170	347	141	112	7	±2	30	10	146
1600	65	100	150	135	215	215	440	210	210	427	181	152	7	±2	30	12	146
2 500	80	100	170	150	240	240	510	210	210	431	163	127	11	±4	42	10	208
4 000	120	140	190	170	270	270	630	250	250	518	192	127	18	±4	65	6	292
6 300	120	140	215	190	300	300	660	250	250	518	192	127	18	±4	65	8	292
10 000	140	160	225	200	320	320	770	300	300	618	242	177	18	±4	65	10	292
16 000	160	180	280	245	392	392	910	300	300	618	242	177	18	±4	65	14	292
25 000	180	200	320	280	448	448	1 087	350	350	718	292	227	18	±4	65	17	292
40 000	200	220	360	315	504	504	1 331	350	350	718	292	227	18	±4	65	22	292
63 000	230	250	360	315	504	504	1 606	410	410	838	352	287	18	±4	65	28	292
100 000	240	280	400	350	560	560	1 989	470	470	958	412	347	18	±4	65	35	292

Design B



Design B: vertical

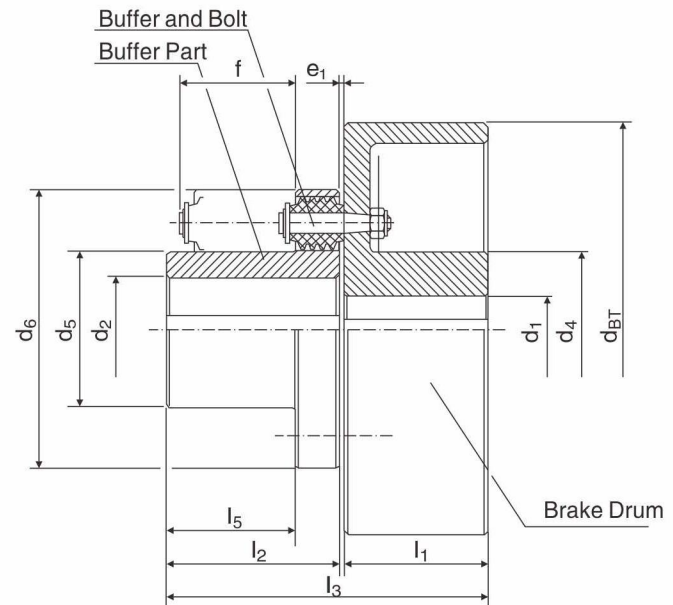
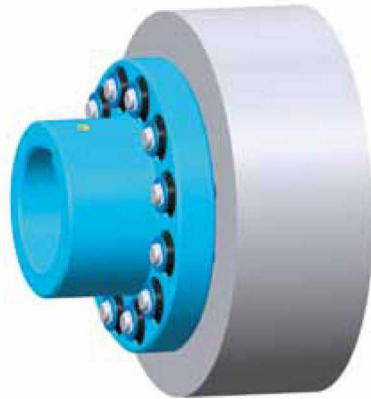
For the dimensions d_7 , as well as t , please consult manufacturer.

Table 2

characteristic values

size	speed $n_{max}^{7)}$ [rpm]		torque [Nm]			torsion angle $\varphi [^\circ]$	dynamic torsional spring stiffness c_{dyn} [kNm/rad]		rel. damping $\psi [-]$	buffer part		bolt part	
	St	G	T_{KN}	T_{Kmax}	$\pm T_{KW}$		at T_{KN}	0,5 · T_{KN}		at T_{KN}	mass $m^{(6)}$ [kg]	moment of inertia $J^{(6)}$ [kgm ²]	mass $m^{(6)}$ [kg]
4	5 000	–	40	80	10	3	5,3	8,5	ca.1	0,46	0,00036	0,46	0,00037
6.3	5 000	–	63	126	16	3	6,7	9,1	ca.1	0,59	0,00061	0,61	0,00063
10	5 000	–	100	200	25	3	7,8	9,5	ca.1	1,1	0,0014	1,1	0,0014
16	4 500	–	160	320	40	3	15,2	26,3	ca.1	1,4	0,0025	1,3	0,0023
25	4 500	–	250	500	63	3	23,2	40,2	ca.1	1,5	0,0028	1,6	0,0029
40	4 000	–	400	800	100	3	40,6	70,3	ca.1	1,6	0,0031	1,9	0,0043
63	3 500	–	630	1 260	158	3	64,8	112,0	ca.1	2,4	0,0055	2,8	0,0075
100	3 350	–	1 000	2 000	250	3	50,1	69,2	ca.1	4,9	0,0183	5,9	0,0248
160	3 200	–	1 600	3 200	400	3	95,0	157	ca.1	6,4	0,0334	7,4	0,0423
250	3 100	–	2 500	5 000	625	3	157	260	ca.1	10	0,0596	11	0,0741
400	3 000	2 000	4 000	8 000	1 000	3	231	395	ca.1	14	0,114	17	0,167
630	2 700	1 800	6 300	12 600	1 575	3	380	650	ca.1	21	0,226	24	0,298
1 000	2 300	1 500	10 000	20 000	2 500	3	823	1 410	ca.1	36	0,573	44	0,697
1 600	2 000	1 300	16 000	32 000	4 000	3	1 460	2 500	ca.1	59	1,13	69	1,35
2 500	1 800	1 100	25 000	50 000	6 250	3	1 120	1 310	ca.1	84	2,41	118	3,55
4 000	1 400	1 000	40 000	80 000	10 000	3	1 460	1 990	ca.1	200	9,73	212	9,64
6 300	1 300	850	63 000	126 000	15 750	3	2 210	3 020	ca.1	193	10,1	244	12,4
10 000	1 100	750	100 000	200 000	25 000	3	4 040	5 510	ca.1	297	19,3	337	22,7
16 000	1 000	650	160 000	320 000	40 000	3	8 810	12 000	ca.1	408	33,3	473	75,2
25 000	900	500	250 000	500 000	62 500	3	18 200	24 800	ca.1	665	72,2	689	96,1
40 000	750	430	400 000	800 000	100 000	3	35 000	47 800	ca.1	1 045	79,9	957	199
63 000	650	350	630 000	1 260 000	157 500	3	68 300	93 200	ca.1	1 600	395	1 331	404
100 000	500	280	1 000 000	2 000 000	250 000	3	137 000	188 000	ca.1	2 610	1 011	1 979	911

Type P



Design P: with brake drum

Dimensions and tolerances for e_1 and f correspond to those of the design A (assigned to the analog nominal size), brake drums with different dimensions upon request.

Ordering example: BOKU-N-PSt 40 – 250 – 50 H7 P1⁴⁾ (x 95)³⁾ – 30 H7 P2⁴⁾ (x 50)³⁾ – KWN 22014

Designation of a flexible pin type coupling type P, nominal size 40, material steel, diameter $d_{BT} = 250$ mm

finished bore $d_1 = 50$ mm, tolerance zone H7, one keyway (hub length $l_1 = 95$ mm)

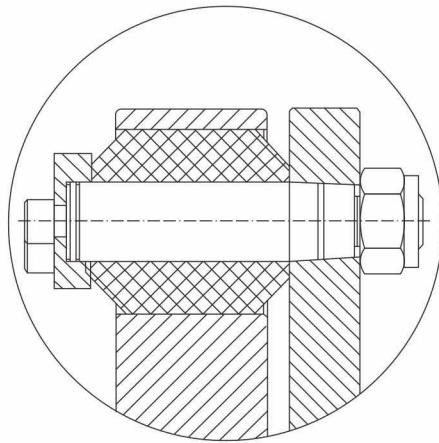
finished bore $d_2 = 30$ mm, tolerance zone H7, with two keyways (120° staggered) (hub length $l_2 = 50$ mm)

main dimensions

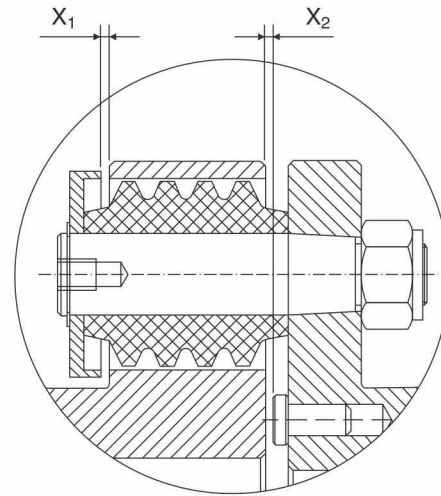
Table 3

size	pilot bore ²⁾	$d_1^{1)}$		pilot bore ²⁾	$d_2^{1)}$		$d_4^{5)}$	$d_5^{5)}$	d_5	d_{BT}	l_1	l_2	l_3	l_5		
		min	max		min	max										
		St	G		St	G										
16	–	16	43	39	14	16	45	–	61	63	120	160	60	40	103	19
16	–	16	45	42	14	16	45	–	66	63	120	200	75	40	118	19
16	–	16	45	42	14	16	45	–	66	63	120	250	95	40	138	19
25	–	20	47	42	16	20	48	–	66	67	124	200	75	50	128	29
25	–	20	50	44	16	20	48	–	70	67	124	250	95	50	148	29
40	–	20	47	42	16	20	55	–	66	77	134	200	75	50	128	29
40	–	20	55	50	16	20	55	–	80	77	134	250	95	50	148	29
40	–	20	55	50	16	20	55	–	80	77	134	315	118	50	171	29
63	–	25	65	55	20	25	65	–	90	91	150	250	95	60	158	39
63	–	25	65	55	20	25	65	–	90	91	150	315	118	60	181	39
100	25	30	75	65	25	30	75	–	106	105	186	250	95	80	178	51
100	25	30	80	70	25	30	75	–	113	105	186	315	118	80	201	51
100	25	30	80	70	25	30	75	–	113	105	186	400	150	80	233	51
160	25	30	95	80	25	30	85	–	132	119	212	315	118	80	202	47
160	25	30	95	80	25	30	85	–	132	119	212	400	150	80	234	47
250	25	40	95	80	35	40	95	–	132	133	240	315	118	110	232	77
250	25	40	95	85	35	40	95	–	136	133	240	400	150	110	264	77
250	30	40	110	95	35	40	95	–	155	133	240	500	190	110	304	77
400	30	50	115	105	40	50	105	90	166	145	275	500	190	110	305	66
630	30	60	115	105	45	60	120	100	166	165	320	500	190	140	335	96
630	30	60	140	120	45	60	120	100	196	165	320	630	236	140	381	96
1 000	30	55	145	130	55	80	125	110	205	175	380	710	265	170	442	112
1 600	30	55	170	150	65	100	150	135	240	215	440	710	265	210	482	152

Special design



Buffer prestressed and electrically insulating,
bolts hydraulically demountable



X_1 and X_2 = possible backlash-limiting

Backlash-limiting (also available as a non-sparking design)

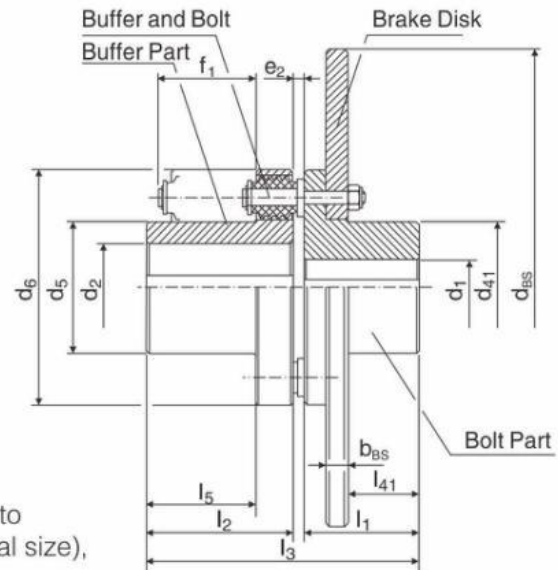
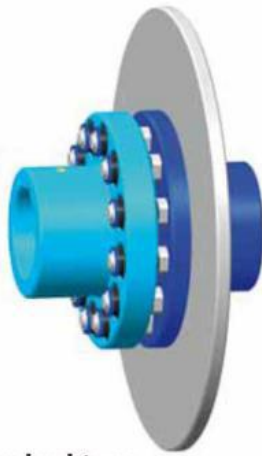
All designs are also available with axial backlash limitation. The requested axial play X and X_1 has to be agreed upon with the manufacturer.

Table 4

characteristic values

size	speed $n_{max}^{7)}$ [rpm]		torque [Nm]			torsion angle $\varphi [^\circ]$ at T_{KN}	dynamic torsional spring stiffness c_{dynL} [kNm/rad]		rel. damping $\psi [-]$	buffer part		brake disk	
	St	G	T_{KN}	T_{Kmax}	$\pm T_{kw}$		$0,5 \cdot T_{KN}$	at T_{KN}		mass $m^{(6)}$ [kg]	moment of inertia $J^{(6)}$ [kgm ²]	mass $m^{(6)}$ [kg]	moment of inertia $J^{(6)}$ [kgm ²]
16	4 500	3 500	160	320	40	3	15,2	26,3	ca.1	1,4	0,0025	3,7	0,0153
16	4 500	2 800	160	320	40	3	15,2	26,3	ca.1	1,4	0,0025	6,7	0,0442
16	3 800	2 300	160	320	40	3	15,2	26,3	ca.1	1,4	0,0025	11	0,114
25	4 500	2 800	250	500	63	3	23,2	40,2	ca.1	1,5	0,0028	6,7	0,0442
25	3 800	2 300	250	500	63	3	23,2	40,2	ca.1	1,5	0,0028	11	0,115
40	4 000	2 800	400	800	100	3	40,6	70,3	ca.1	1,6	0,0031	6,7	0,0448
40	3 800	2 300	400	800	100	3	40,6	70,3	ca.1	1,6	0,0031	11	0,115
40	3 000	1 800	400	800	100	3	40,6	70,3	ca.1	1,6	0,0031	20	0,367
63	3 500	2 300	630	1 260	158	3	64,8	112	ca.1	2,4	0,0055	11	0,118
63	3 000	1 800	630	1 260	158	3	64,8	112	ca.1	2,4	0,0055	20	0,368
100	3 350	2 300	1 000	2 000	250	3	50,1	69,2	ca.1	4,9	0,0183	14	0,137
100	3 000	1 800	1 000	2 000	250	3	50,1	69,2	ca.1	4,9	0,0183	26	0,421
100	2 500	1 500	1 000	2 000	250	3	50,1	69,2	ca.1	4,9	0,0183	44	1,22
160	3 000	1 800	1 600	3 200	400	3	95	157	ca.1	6,4	0,0334	28	0,447
160	2 500	1 500	1 600	3 200	400	3	95	157	ca.1	6,4	0,0334	48	1,28
250	3 000	1 800	2 500	5 000	625	3	157	260	ca.1	10	0,0596	27	0,441
250	2 500	1 500	2 500	5 000	625	3	157	260	ca.1	10	0,0596	48	1,28
250	1 800	1 100	2 500	5 000	625	3	157	260	ca.1	10	0,0596	99	4,18
400	1 800	1 100	4 000	8 000	1 000	3	231	395	ca.1	14	0,167	106	4,63
630	1 800	1 100	6 300	12 600	1 575	3	380	650	ca.1	21	0,226	104	4,63
630	1 700	1 000	6 300	12 600	1 575	3	380	650	ca.1	21	0,226	176	12,1
1 000	1 400	800	10 000	20 000	2 500	3	823	1 410	ca.1	36	0,573	237	20,7
1 600	1 400	800	16 000	32 000	4 000	3	1 460	2 500	ca.1	59	1,13	226	20,6

Type S1



Design S1: standard type

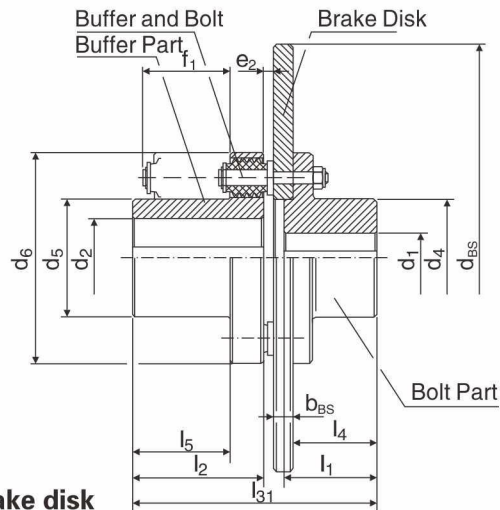
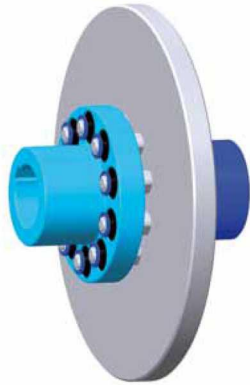
Dimensions and tolerances for e_2 and f_1 correspond to those of the Design A (assigned to the analog nominal size), brake disks with different dimensions upon request.

Ordering example: BOKU-N-S1 160-630x30-60 H7P1(x80)-50v-KWN 22014

Designation of an flexible pin type coupling type S1 of nominal size 160, material steel, diameter of brake disk $d_{BS} = 630$ mm, thickness of the brake disk $b_{BS} = 30$ mm, finished bore $d_1 = 60$ mm, tolerance zone H7, with one keyway (hub length $l_1 = 80$ mm) pilot bore $d_2 = 50$ mm (hub length $l_2 = 80$ mm)

main dimensions																	Table 5						
size	pilot bore ²⁾	$d_1^{(1)}$		pilot bore ²⁾	$d_2^{(1)}$		$d_4^{(3)}$	$d_{41}^{(3)}$	$d_5^{(3)}$	d_6	d_{BS}	b_{BS}	e_2	f_1	l_1	l_2	l_3	l_{31}	l_4	l_{41}	l_5		
		min	max		min	max																St	G
16	14	16	42	-	14	16	45	-	63	61	63	120	315	15	7	85	40	40	87	97	35	15	19
16	14	16	42	-	14	16	45	-	63	61	63	120	400	15	7	85	40	40	87	97	35	15	19
16	14	16	42	-	14	16	45	-	63	61	63	120	500	15	7	85	40	40	87	97	35	15	19
25	16	20	45	-	16	20	48	-	67	65	67	124	400	15	7	85	50	50	107	117	45	25	29
25	16	20	45	-	16	20	48	-	67	65	67	124	500	15	7	85	50	50	107	117	45	25	29
40	16	20	52	-	16	20	55	-	77	75	77	134	400	15	7	85	50	50	107	117	45	25	29
40	16	20	52	-	16	20	55	-	77	75	77	134	500	15	7	85	50	50	107	117	45	25	29
40	16	20	52	-	16	20	55	-	77	75	77	134	630	15	7	85	50	50	107	117	45	25	29
63	20	25	63	-	20	25	65	-	91	89	91	150	500	30	7	85	60	60	127	152	55	15	39
63	20	25	63	-	20	25	65	-	91	89	91	150	630	30	7	85	60	60	127	152	55	15	39
100	25	30	73	-	25	30	75	-	105	103	105	186	500	30	12,5	101	80	80	172,5	192,5	70	35	51
100	25	30	73	-	25	30	75	-	105	103	105	186	630	30	12,5	101	80	80	172,5	192,5	70	35	51
100	25	30	73	-	25	30	75	-	105	103	105	186	800	30	12,5	101	80	80	172,5	192,5	70	35	51
160	25	30	83	-	25	30	85	-	119	117	119	212	630	30	14	110	80	80	174	194	70	35	47
160	25	30	83	-	25	30	85	-	119	117	119	212	800	30	14	110	80	80	174	194	70	35	47
250	35	40	95	-	35	40	95	-	133	131	133	240	500	30	14	110	110	110	234	254	100	65	77
250	35	40	95	-	35	40	95	-	133	131	133	240	630	30	14	110	110	110	234	254	100	65	77
250	35	40	95	-	35	40	95	-	133	131	133	240	800	30	14	110	110	110	234	254	100	65	77
400	40	50	105	90	40	50	105	90	145	143	145	275	630	30	20	136	110	110	240	260	100	60	66
630	45	60	120	100	45	60	120	100	165	163	165	320	630	30	20	136	140	140	300	320	130	90	96
630	45	60	120	100	45	60	120	100	165	163	165	320	710	30	20	136	140	140	300	320	130	90	96
630	45	60	120	100	45	60	120	100	165	163	165	320	800	30	20	136	140	140	300	320	130	90	96
1 000	55	80	125	110	55	80	125	110	175	173	175	380	800	30	22	162	170	170	362	382	160	120	112
1 600	65	100	150	135	65	100	150	135	215	213	215	440	1 000	30	22	162	210	210	442	457	195	160	152
2 500	80	100	170	150	80	100	170	150	240	238	240	510	1 250	42	26	202	210	210	446	473	195	143	127

Type S2



Design S2: design with radial dismountable brake disk

Dimensions and tolerances for e_2 and f_1 correspond to those of the Design A (assigned to the analog nominal size), brake disks with different dimensions upon request.

Design S2: design with radial dismountable brake disk

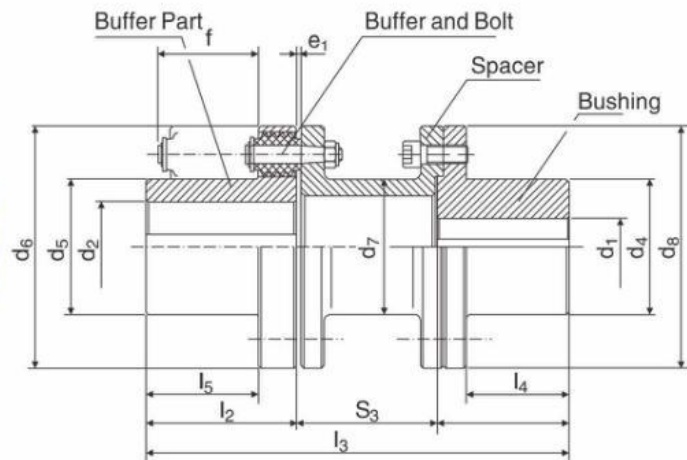
Dimensions and tolerances for e_2 and f_1 correspond to those of the Design A (assigned to the analog nominal size), brake disks with different dimensions upon request.

Table 6

characteristic values

size	speed $n_{\max}^{7)}$ [rpm]		torque [Nm]			torsion angle $\varphi [^\circ]$ at T_{KN}	dynamic torsional spring stiffness c_{dyn} [kNm/rad]		rel. damping $\psi [-]$	buffer part		bolt part/brake disk	
	St	G	T_{KN}	T_{Kmax}	$\pm T_{kw}$		0,5 · T_{KN}	at T_{KN}		mass $m^{(6)}$ [kg]	moment of inertia $J^{(6)}$ [kgm ²]	mass $m^{(6)}$ [kg]	moment of inertia $J^{(6)}$ [kgm ²]
16	4 500	–	160	320	40	3	15,2	26,3	ca.1	1,4	0,0025	9,7	0,121
16	4 500	–	160	320	40	3	15,2	26,3	ca.1	1,4	0,0025	15	0,304
16	4 500	–	160	320	40	3	15,2	26,3	ca.1	1,4	0,0025	24	0,722
25	4 500	–	250	500	63	3	23,2	40,2	ca.1	1,5	0,0028	15	0,297
25	4 500	–	250	500	63	3	23,2	40,2	ca.1	1,5	0,0028	24	0,721
40	4 000	–	400	800	100	3	40,6	70,3	ca.1	1,6	0,0031	16	0,298
40	4 000	–	400	800	100	3	40,6	70,3	ca.1	1,6	0,0031	24	0,721
40	4 000	–	400	800	100	3	40,6	70,3	ca.1	1,6	0,0031	38	1,82
63	3 500	–	630	1 260	158	3	64,8	112	ca.1	2,4	0,0055	48	1,45
63	3 500	–	630	1 260	158	3	64,8	112	ca.1	2,4	0,0055	75	3,71
100	3 350	–	1 000	2 000	250	3	50,1	69,2	ca.1	4,9	0,0183	58	1,48
100	3 350	–	1 000	2 000	250	3	50,1	69,2	ca.1	4,9	0,0183	85	3,68
100	3 350	–	1 000	2 000	250	3	50,1	69,2	ca.1	4,9	0,0183	130	9,48
160	3 200	–	1 600	3 200	400	3	95,0	157	ca.1	6,4	0,0334	80	3,71
160	3 200	–	1 600	3 200	400	3	95,0	157	ca.1	6,4	0,0334	125	9,51
250	3 100	–	2 500	5 000	625	3	157	260	ca.1	10	0,0596	67	2,35
250	2 500	–	2 500	5 000	625	3	157	260	ca.1	10	0,0596	95	4,57
250	1 800	–	2 500	5 000	625	3	157	260	ca.1	10	0,0596	143	10
400	3 000	2 000	4 000	8 000	1 000	3	231	395	ca.1	14	0,167	87	3,81
630	2 700	1 800	6 300	12 600	1 575	3	380	650	ca.1	21	0,226	95	3,93
630	2 700	1 800	6 300	12 600	1 575	3	380	650	ca.1	21	0,226	115	6,21
630	2 700	1 800	6 300	12 600	1 575	3	380	650	ca.1	21	0,226	140	9,76
1 000	2 300	1 500	10 000	20 000	2 500	3	823	1 410	ca.1	36	0,573	155	10,2
1 600	2 000	1 300	16 000	32 000	4 000	3	1 460	2 500	ca.1	59	1,13	316	34,5
2 500	1 800	1 100	25 000	50 000	6 250	3	1 120	1 310	ca.1	84	2,41	488	112

Type H



Design H: with spacer

Dimensions and tolerances for e_1 and f correspond to those of the design A (assigned to the analog nominal size), different dimensions upon request.

Ordering example: BOKU-N-H St 100 - 250 - 25v⁴¹ (x80)³¹ - 50 H7P1 (x80)³¹ - KWN 22014

Designation of a flexible pin type coupling type H, size 100, material steel, with spacer $s_3 = 250$ mm, pilot bore, $d_1 = 25$ mm (hub length $l_1 = 80$ mm) and finished bore $d_2 = 50$ mm, tolerance zone H7, with keyway (hub length $l_2 = 80$ mm)

main dimensions																Table 7	
size	pilot bore ³⁾	$d_1, d_2^{1)}$		$d_4^{2)}$	$d_5^{3)}$	d_6	d_7	d_8	l_1	l_2	l_3	l_4	l_5	s_3	e_1	tolerance e_1	
		min	max														
		St	G														
4	10	12	32	28	45	45	81	45	81	30	30	160	20	17	100	2	$\pm 0,5$
6,3	10	12	38	33	53	53	92	54	92	30	30	160	20	17	100	2	$\pm 0,5$
6,3	10	12	38	33	53	53	92	54	92	30	30	200	20	17	140	2	$\pm 0,5$
10	12	16	42	36	59	59	106	60	101	40	40	180	30	23	100	2,5	$\pm 0,5$
10	12	16	42	36	59	59	106	60	101	40	40	220	30	23	140	2,5	$\pm 0,5$
16	14	16	45	40	63	63	120	64	104	40	40	220	29	19	140	3,5	$\pm 0,5$
16	14	16	45	40	63	63	120	64	104	40	40	260	29	19	180	3,5	$\pm 0,5$
25	16	20	48	42	67	67	124	70	111	50	50	280	39	29	180	3,5	$\pm 0,5$
25	16	20	48	42	67	67	124	70	111	50	50	300	39	29	200	3,5	$\pm 0,5$
40	16	20	55	48	77	77	134	76	123	50	50	280	39	29	180	3,5	$\pm 0,5$
40	16	20	55	48	77	77	134	76	123	50	50	300	39	29	200	3,5	$\pm 0,5$
63	20	25	65	55	91	91	150	89	136	60	60	300	49	39	180	3,5	$\pm 0,5$
63	20	25	65	55	91	91	150	89	136	60	60	320	49	39	200	3,5	$\pm 0,5$
100	25	30	75	65	105	105	186	108	159	80	80	360	64	51	200	4	$\pm 0,5$
100	25	30	75	65	105	105	186	108	159	80	80	410	64	51	250	4	$\pm 0,5$
160	25	30	85	75	119	119	212	127	193	80	80	360	60	47	200	4	$\pm 0,5$
160	25	30	85	75	119	119	212	127	193	80	80	410	60	47	250	4	$\pm 0,5$
250	35	40	95	85	133	133	240	133	199	110	110	470	90	77	250	4	$\pm 0,5$
250	35	40	95	85	133	133	240	133	199	110	110	500	90	77	280	4	$\pm 0,5$
400	40	50	105	90	145	145	275	159	225	110	110	470	89	66	250	6	± 1
400	40	50	105	90	145	145	275	159	225	110	110	500	89	66	280	6	± 1
630	45	60	120	100	165	165	320	168	237	140	140	530	119	96	250	6	± 1
630	45	60	120	100	165	165	320	168	237	140	140	560	119	96	280	6	± 1
1 000	55	80	125	110	175	175	380	194	274	170	170	590	141	112	250	8	± 1
1 000	55	80	125	110	175	175	380	194	274	170	170	620	141	112	280	8	± 1
1 600	65	100	150	135	215	215	440	219	315	210	210	670	181	152	250	8	± 1
1 600	65	100	150	135	215	215	440	219	315	210	210	700	181	152	280	8	± 1
2 500	80	100	170	150	240	240	510	245	343	210	210	670	179	127	250	12	± 3
2 500	80	100	170	150	240	240	510	245	343	210	210	700	179	127	280	12	± 3
4 000	120	140	190	170	270	270	630	273	374	250	250	780	219	127	280	18	± 4
6 300	120	140	215	190	300	300	660	324	425	250	250	780	219	127	280	18	± 4
10 000	140	160	225	200	320	320	770	407	507	300	300	880	269	177	280	18	± 4

Application Example

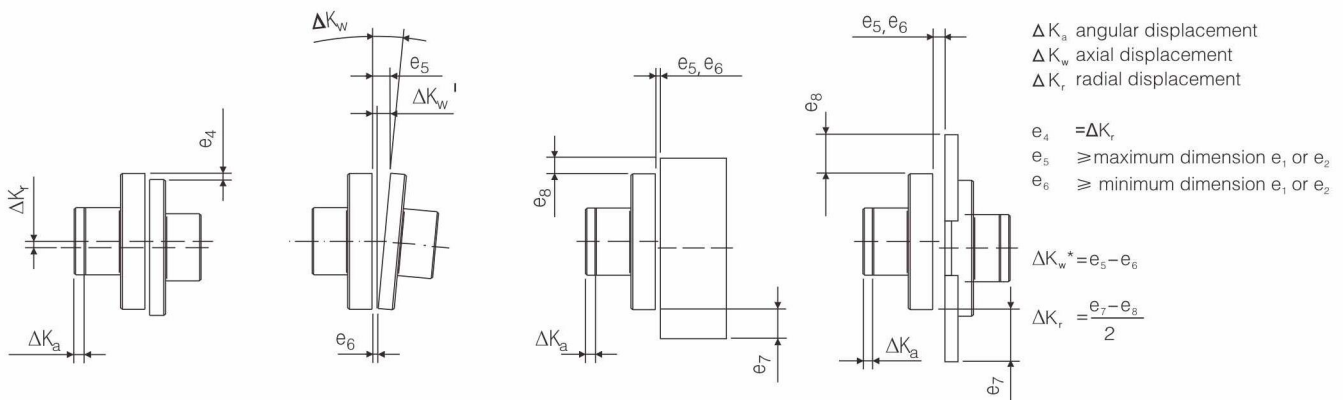


Mineral deposits conveyor

Table 8

size	speed $n_{\max}^7)$ [rpm]		torque [Nm]			torsion angle $\varphi [^\circ]$ at T_{KN}	dynamic torsional spring stiffness c_{dyn} [kNm/rad]		rel. damping $\psi [-]$	buffer part		hub + spacer moment of inertia	
	St	G	T_{KN}	T_{Kmax}	$\pm T_{KW}$		0,5 · T_{KN}	at T_{KN}		mass $m^{(6)}$ [kg]	moment of inertia $J^{(6)}$ [kgm ²]	mass $m^{(6)}$ [kg]	moment of inertia $J^{(6)}$ [kgm ²]
4	5 000	–	40	80	10	3	5,3	8,5	ca.1	0,46	0,00036	1,5	0,0012
6,3	5 000	–	63	126	16	3	6,7	9,1	ca.1	0,59	0,00061	1,9	0,0019
6,3	5 000	–	63	126	16	3	6,7	9,1	ca.1	0,59	0,00061	2,1	0,0021
10	5 000	–	100	200	25	3	7,8	9,5	ca.1	1,1	0,0014	2,5	0,0032
10	5 000	–	100	200	25	3	7,8	9,5	ca.1	1,1	0,0014	2,8	0,0034
16	4 500	–	160	320	40	3	15,2	26,3	ca.1	1,4	0,0025	3,2	0,0046
16	4 500	–	160	320	40	3	15,2	26,3	ca.1	1,4	0,0025	3,5	0,0049
25	4 500	–	250	500	63	3	23,2	40,2	ca.1	1,5	0,0028	3,9	0,0063
25	4 500	–	250	500	63	3	23,2	40,2	ca.1	1,5	0,0028	4,1	0,0064
40	4 000	–	400	800	100	3	40,6	70,3	ca.1	1,6	0,0031	4,8	0,0094
40	4 000	–	400	800	100	3	40,6	70,3	ca.1	1,6	0,0031	5,0	0,0096
63	3 500	–	630	1 260	158	3	64,8	112,0	ca.1	2,4	0,0055	6,0	0,015
63	3 500	–	630	1 260	158	3	64,8	112,0	ca.1	2,4	0,0055	6,2	0,016
100	3 350	–	1 000	2 000	250	3	50,1	69,2	ca.1	4,9	0,0183	11,0	0,042
100	3 350	–	1 000	2 000	250	3	50,1	69,2	ca.1	4,9	0,0183	12,0	0,044
160	3 200	–	1 600	3 200	400	3	95,0	157	ca.1	6,4	0,0334	16,0	0,087
160	3 200	–	1 600	3 200	400	3	95,0	157	ca.1	6,4	0,0334	17,0	0,091
250	3 100	–	2 500	5 000	625	3	157	260	ca.1	10,0	0,0596	21,0	0,129
250	3 100	–	2 500	5 000	625	3	157	260	ca.1	10,0	0,0596	22,0	0,132
400	3 000	2 000	4 000	8 000	1 000	3	231	395	ca.1	14,0	0,114	31,0	0,258
400	3 000	2 000	4 000	8 000	1 000	3	231	395	ca.1	14,0	0,114	32,0	0,262
630	2 700	1 800	6 300	12 600	1 575	3	380	650	ca.1	21,0	0,226	41,0	0,423
630	2 700	1 800	6 300	12 600	1 575	3	380	650	ca.1	21,0	0,226	42,0	0,429
1 000	2 300	1 500	10 000	20 000	2 500	3	823	1 410	ca.1	36,0	0,573	65,0	0,91
1 000	2 300	1 500	10 000	20 000	2 500	3	823	1 410	ca.1	36,0	0,573	66,0	0,919
1 600	2 000	1 300	16 000	32 000	4 000	3	1 460	2 500	ca.1	59,0	1,13	97,0	1,74
1 600	2 000	1 300	16 000	32 000	4 000	3	1 460	2 500	ca.1	59,0	1,13	99,0	1,75
2 500	1 800	1 100	25 000	50 000	6 250	3	1 120	1 310	ca.1	84,0	2,41	157	4,17
2 500	1 800	1 100	25 000	50 000	6 250	3	1 120	1 310	ca.1	84,0	2,41	159	4,19
4 000	1 400	1 000	40 000	80 000	10 000	3	1 460	1 990	ca.1	200	9,73	268	10,7
6 300	1 300	850	63 000	126 000	15 750	3	2 210	3 020	ca.1	193	10,1	311	14
10 000	1 100	750	100 000	200 000	25 000	3	4 040	5 510	ca.1	297	19,3	447	34,7

Installation and Operating Conditions



The tolerances for the dimensions e_1 , respectively e_2 specified in the dimension tables of the individual designs constitute the sum of alignment errors and operational displacements.

The values for the radial displacement (dimension ΔK_r) and the angular displacement (dimension ΔK_w and ΔK_w^*) depend on the rotational speed.

For rotational speeds > 600 rpm, the permissible values of the radial displacement as well as of the angular displacement will change.

The permissible values are decreasing with an increasing rotational speed due to an increasing variation in stress in the buffer.

The values each assigned to the rotational speed and/or nominal size are indicated in the following table:

Permissible shaft Misalignment and Alignment Dimension												Table 9	
Coupling size		4	6,3	10	16	25	40	63	100	160	250	400	630
	n[rpm]												
Permissible radial displacement ΔK_r [mm] at speed n	600	0,3	0,3	0,4	0,6	0,6	0,6	0,6	0,9	1,1	1,1	1,3	1,3
	1 000	0,2	0,2	0,3	0,4	0,4	0,4	0,4	0,5	0,7	0,7	0,8	0,8
	3 000	0,1	0,1	0,2	0,3	0,3	0,3	0,3	0,4	0,5	0,5	0,5	
	5 000	0,1	0,1	0,2	0,2	0,2							
Permissible angular displacement ΔK_w^* [mm] at speed n	600	0,8	1,0	1,1	1,3	1,4	1,5	1,7	2,2	2,7	3,1	3,3	3,8
	1 000	0,5	0,6	0,7	0,8	0,9	0,9	1,1	1,4	1,7	1,9	2,1	2,4
	3 000	0,4	0,4	0,5	0,6	0,6	0,7	0,8	1,0	1,2	1,3	1,4	
	5 000	0,3	0,3	0,4	0,5	0,5							
Permissible angular displacement ΔK_w [°] at speed n	600	0,6	0,6	0,6	0,6	0,6	0,6	0,6	0,6	0,7	0,7	0,7	0,7
	1 000	0,4	0,4	0,4	0,4	0,4	0,4	0,4	0,4	0,5	0,5	0,4	0,4
	3 000	0,3	0,3	0,3	0,3	0,3	0,3	0,3	0,3	0,3	0,3		
	5 000	0,2	0,2	0,2	0,2	0,2							
Coupling size		1 000	1 600	2 500	4 000	6 300	10 000	16 000	25 000	40 000	63 000	100 000	
	n[rpm]												
Permissible radial displacement ΔK_r [mm] at speed n	600	1,7	1,7	2,1	2,3	2,3	2,3	2,3	2,3	2,3	2,3	2,3	
	1 000	1,1	-	-	-	-	-	-	-	-	-	-	
Permissible angular displacement ΔK_w^* [mm] at speed n	600	4,0	4,0	5,0	4,3	4,6	5,4	6,5	7,9	8,0	8,0	8,0	
	1 000	2,7	-	-	-	-	-	-	-	-	-	-	
Permissible angular displacement ΔK_w [°] at speed n	600	0,6	0,6	0,4	0,4	0,4	0,4	0,4	0,4	0,4	0,4	0,4	
	1 000	0,4	-	-	-	-	-	-	-	-	-	-	

Remarks

Table 10				type of hub bore	
hub bore	pilot bore	without hub keyway	for one keyway	tolerance zone H7 with hub keyway to DIN 6885 type A, dimension tolerance JS 9	
				for two keyways 120° staggered	for two keyways 180° staggered
symbol	v	–	P1	P2	P3

Balancing condition

In general, the couplings with finish bore correspond to a balance quality of Q 16 at $n = 1\ 500$ rpm according to VDI 2060, balanced in one level without feather key groove.

According to the requirements of the user, the balancing is done in two levels with quality class

Q 6.3 at $n = 1\ 500$ rpm with finish bore.

In doing so, please indicate whether the balancing shall be done without feather key groove or with feather key groove however, without feather key.

rotational speed depending on utilization

Flexible pin type couplings design A can run in special cases with a rotational speed larger than the indicated rotational speed n_{max} .

In such cases please consult the manufacturer.

Material

buffer part and bolt part:
steel type (St)

· up to nominal size 250 steel C 45 DIN EN 10083–2

· from nominal size 400 EN–GJS–400–15U DIN EN 1563

welded type (St) S355J2+N DIN EN 10025–2

cast–iron type (G) EN–GJL–250–DIN EN 1561

brake drum:

depending on size EN–GJL–250–DIN EN 1561,
EN–GJS–400–15U DIN EN 1563
GE 300 DIN EN 10293

welded construction (St) S355J2+N DIN EN 10025–2

spacer: S355J2+N DIN EN 10025–2

EN–GJS–400–15U DIN EN 1563

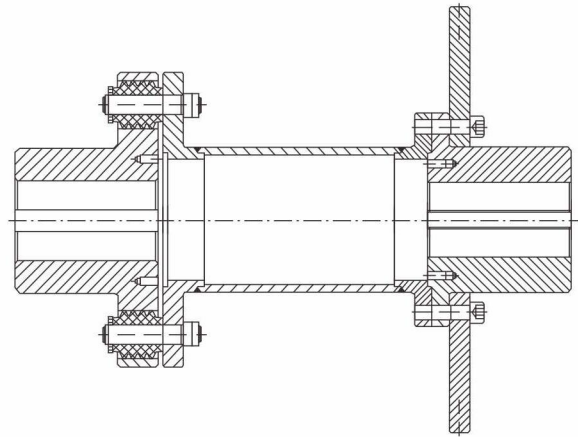
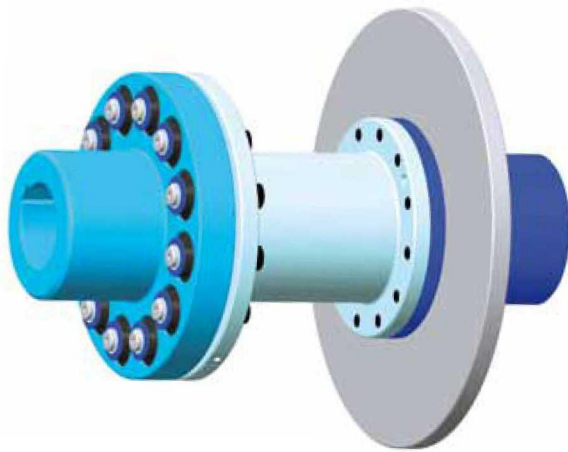
brake disk: S355J2+N DIN EN 10025–2

buffer: NR–SBR 75 ± 5 Shore A, grooved, standard
(grooved buffers are available in more rubber mixtures with other Shore hardness)

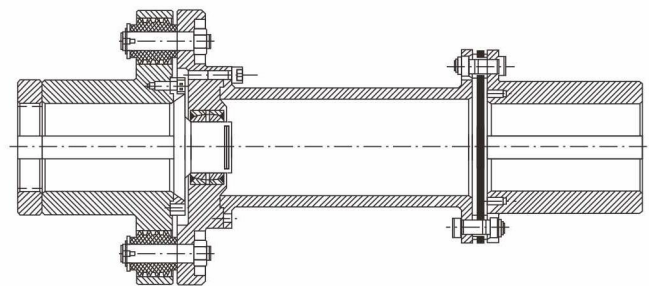
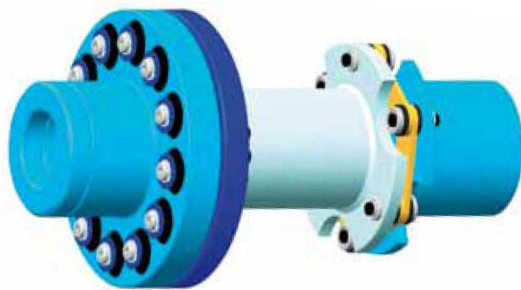
PUR (Elastopal) 85 ± 5 Shore A, barrel–shaped

Table 11 recommended materials for brake drums and brake disks		
material	remark	recommended utilization case
EN–GJL–250–DIN EN 1561	high friction coefficient, low permissible speed, low wear	holding and service brakes
EN–GJS–400–15U DIN EN 1563 EN–GJS–700–2U DIN EN 1563	low frictional coefficient, very good wearing properties	service brake
GE 300 DIN EN 10293	minimum of 300 Brinell hardness decrease in frictional coefficient at high temperatures very low wear, average frictional coefficient	service brake
GE 300 DIN EN 10293 untreated	average frictional coefficient, low surface solidity leads to pickup and thus to a high level of wear	holding brake

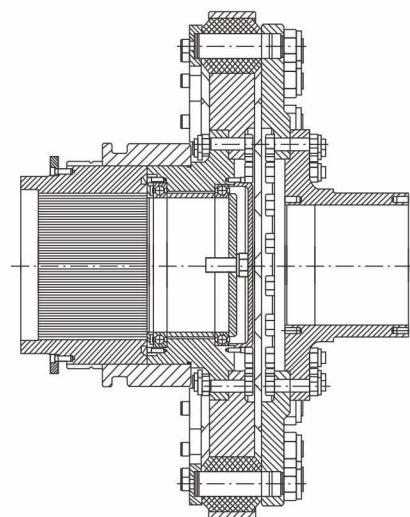
Specia Designs



flexible pin type coupling
with spacer and brake disk



flexible pin type coupling
with spacer and allsteel coupling



flexible pin type coupling
shiftable at standstill, buffers prestressed and electrically insulating, bolts hydraulically demountable



库威得
KUDOSWORLD



SHENYANG KUDOSWORLD TECHNOLOGY CO., LTD

Add: Orchard Summer Palace, No.209-2 Qingnian Street, Shenhe District, Shenyang City, China 110016

Tel: 0086 (024) 31976438

Fax: 0086(024) 3197 6437