



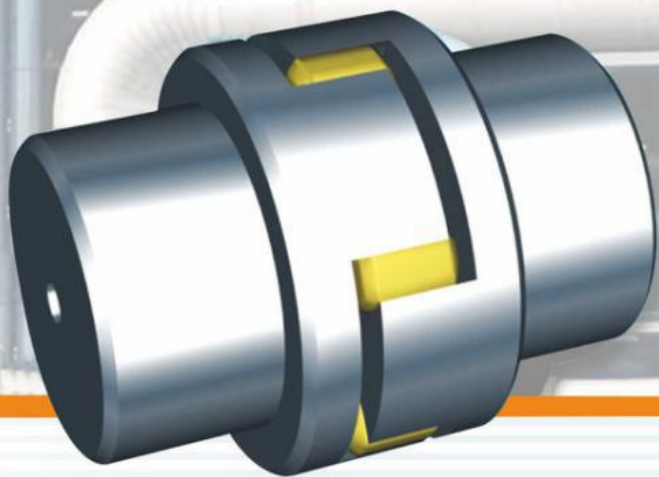
库威得
KUDOSWORLD



JAW COUPLING

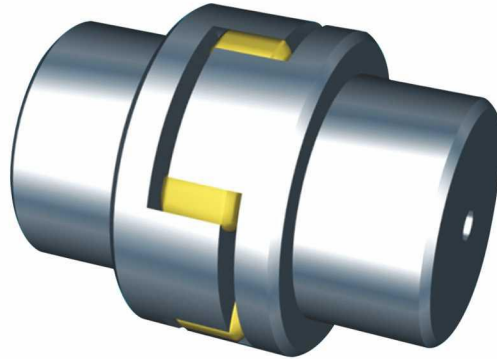
ELKU-N

KWN 22180



Product | Engineering Services
Maintenance

Jaw Coupling



Distinctive Features

1. Torsionally flexible and designed for positive torque transmission.

They are puncture-proof. Operational vibrations and shock are efficiently attenuated and reduced.

2. Owing to their linear design, the maximum twisting angle with couplings of any size amounts to 5° .

Fig.1 shows the capacity of the elastomeric, which is related to its attenuating effect.

3. Setting and repairing are easy.

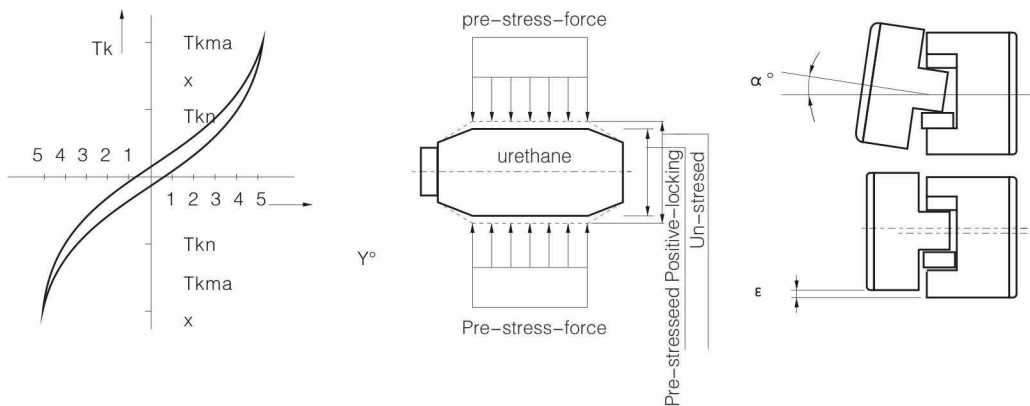
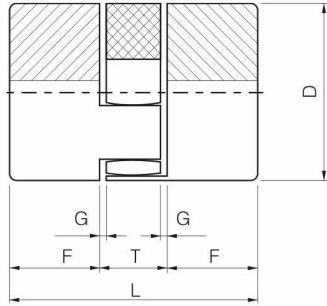


Fig.1

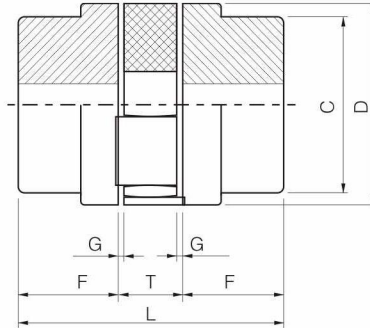
table1.

| Size No. | 050 | 070 | 090 | 0010 | 0020 | 2035-A | 2035 | 3545 | 4560 | 6070 | 7080 | 8090 |
|---|------|-----|-----|------|------|--------|------|------|------|------|------|------|
| Angulay Misalignment (α°) | 0.15 | 0.2 | | 0.4 | 0.8 | | 1.0 | | | | 1.4 | |
| Parallel Misalignment (ϵ mm) | 1.3 | | | | | | | | | | | |

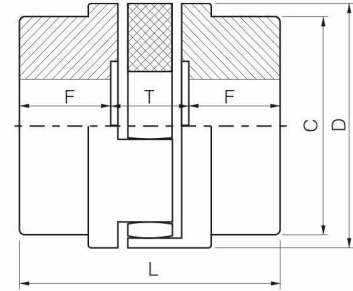
Dimensions and Technical Parameters



Only EZK050~EZK090



Only EZK0010~EZK3545



Only EZK4560~EZK90100

| Size | Bore Diameter(mm) | | Basic Torque (kgf · m) | Torsion Angle | Dimensions (mm) | | | | | Weight (kg) | |
|------------|-------------------|-----|------------------------|---------------|-----------------|-----|------|----|-----|-------------|------|
| | min | max | | | C | D | F | T | L | | G |
| EZK 050 | 5 | 11 | 0.4 | 3.2° | - | 25 | 12 | 11 | 35 | 1 | 0.08 |
| EZK 070 | 7 | 14 | 1 | | - | 35 | 18.5 | 13 | 50 | 1.5 | 0.3 |
| EZK 090 | 7 | 24 | 1 | | - | 40 | 25 | 16 | 66 | 2 | 0.5 |
| EZK 0010 | 11 | 19 | 2.5 | | 42 | 48 | 24 | 17 | 65 | 1.5 | 0.5 |
| EZK 0020 | 14 | 24 | 3.4 | | 50 | 58 | 27 | 18 | 72 | 1.5 | 0.9 |
| EZK 2035-A | 19 | 28 | 12 | | 58 | 68 | 35 | 20 | 90 | 1.5 | 1.3 |
| EZK 2035 | 19 | 38 | 32 | | 68 | 78 | 35 | 22 | 92 | 1.5 | 2.5 |
| EZK 3545 | 28 | 45 | 65 | | 88 | 98 | 38.5 | 29 | 106 | 4 | 4.4 |
| EZK 4560 | 38 | 60 | 90 | | 98 | 118 | 45 | 30 | 120 | 3 | 7.8 |
| EZK 6070 | 42 | 75 | 125 | | 115 | 135 | 46 | 33 | 125 | 3.5 | 10 |
| EZK 7080 | 65 | 100 | 293 | | 130 | 160 | 66 | 45 | 177 | 5 | 19.5 |
| EZK 8090 | 65 | 110 | 520 | | 150 | 200 | 105 | 45 | 255 | 5 | 36 |
| EZK 90100 | 65 | 110 | 790 | | 180 | 230 | 110 | 50 | 270 | 6 | 39 |



库威得
KUDOSWORLD



SHENYANG KUDOSWORLD TECHNOLOGY CO., LTD

Add: Orchard Summer Palace, No.209-2 Qingnian Street, Shenhe

District, Shenyang City, China 110016

Tel: 0086 (024) 31976438

Fax: 0086(024) 3197 6437